

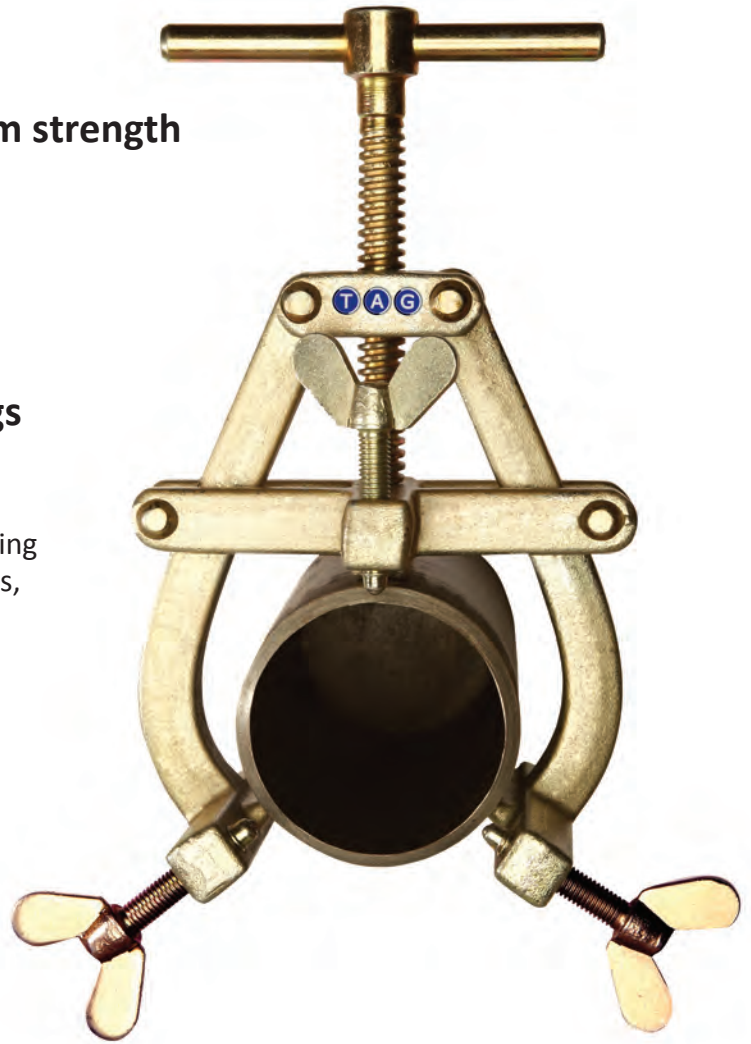
# TAG E-Z FIT GOLD

Pipe welding clamp 1 - 14" o/d

- Quick and E-Z to use
- Forged steel construction for maximum strength
- Combines accuracy with safety
- Instant centering
- Five size range options
- Wing bolts with stainless steel bearings

## Optional Extras

Stainless steel covers can be fitted quickly to the clamping feet. This makes all contact points of the clamp stainless, thus eliminating contamination of the pipe.



## Sizes Available

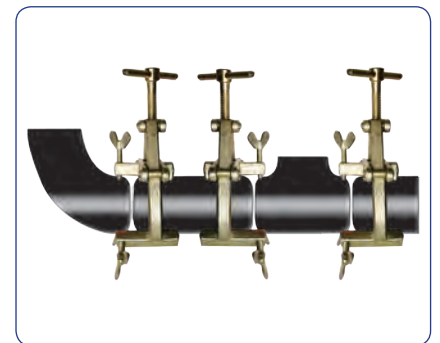
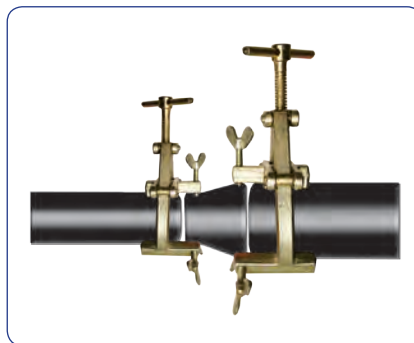
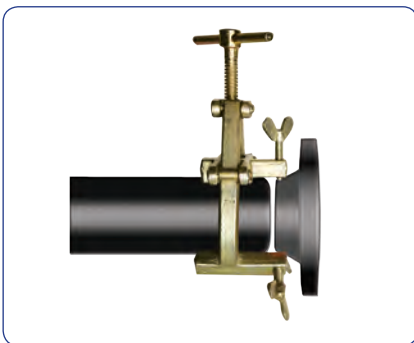
PART NO.	PIPE DIAMETER RANGE (INCH)	PIPE DIAMETER (MM)	CLAMP WEIGHT (KG / LBS)
EZG3	1 - 3"	20 - 90mm	1.4kg / 3lbs
EZG5	2 - 5"	50 - 150mm	3kg / 7lbs
EZG7	3 - 7"	90 - 195mm	3.3kg / 7.5lbs
EZG9	5 - 9"	125 - 245mm	7kg / 15.5lbs
EZG14	9 - 14"	225 - 370mm	9kg / 20lbs

## Stainless Steel Covers & Screws

PART NO.	PIPE CLAMP SIZE (INCH)
EZG3SS	1 - 3"
EZG5SS	2 - 5"
EZG7SS	3 - 7"
EZG9SS	5 - 9"
EZG14SS	9 - 14"



## E-Z Fit Gold Typical Applications



**WARNING:** These E-Z Gold clamps must not be used as a lifting device, as this may result in damage or injury



[www.TAG-PIPE.COM](http://www.TAG-PIPE.COM)

Copyright © 2017 TAG PIPE EQUIPMENT SPECIALISTS LTD. All rights reserved.

Tel: +44 (0)1869 324 144  
E-mail: [sales@tag-pipe.com](mailto:sales@tag-pipe.com)